

14.7 cu. ft. Bottom Freezer Refrigerator

- 14.7 cu. ft. Capacity
- Door Cooling+
- Ceiling LED Lighting
- Multi-Air Flow™ Technology
- SmartDiagnosis™



COLOR AVAILABILITY

● LBNC15231V – Stainless Look

CAPACITY

Refrigerator (cu. ft.)	10
Freezer (cu. ft.)	4.7
Total Capacity (cu. ft.)	14.7

ENERGY

Energy Consumption (kWh / Year)	425
ENERGY STAR® Qualified	Yes

WATER & ICE SYSTEM

Ice & Water Dispenser	No
Ice System	Manual Ice Tray

COOLING

Compressor Type	Linear Compressor
Dual Evaporators	No
Cooling System	Standard
Multi-Air Flow™ System	Yes
Door Cooling+	Yes
Temperature Sensors	4
Fresh Air Filter	No

CONVENIENCE

Display Type	Membrane (White LED)
Temperature Controls	Electronic / Digital
Door Alarm	Yes
Child Lock	No
Auto Closing Door Hinge	Yes
ADA Compliant	No
Sabbath Mode	No
LoDecibel™ Quiet Operation	Yes

REFRIGERATOR

No. of Shelves	4 Full Width (3 Adjustable, 1 Folding)
Shelf Construction	Tempered Glass
Crisper Bins	1
Glide N' Serve™ Pantry Drawer	No
CoolGuard™	No
Refrigerator Light	Ceiling LED

REFRIGERATOR DOOR

No. of Door Bins	6 Total (2 Full Width, 4 Half Width)
Door Bin Construction	1 Piece (Clear)

FREEZER

Freezer Type	Swing Door (Reversible)
Freezer Drawers	3
Ice Storage	Manual Ice Tray & Ice Bin in Freezer
Freezer Light	No
Freezer Handle	Vertical Pocket Handle

SMART FEATURES

Wi-Fi Enabled	No
ThinQ®	No
SmartDiagnosis™	Yes

MATERIALS AND FINISHES

Hidden Hinges	Yes
Surface	Smooth
Fingerprint & Smudge Resistant Exterior	No
Handles	Vertical Pocket Handles

TECHNICAL SPECS

Required Power Supply	115 V, 60 Hz, 15 Amp
Plug Type	3-Prong
Power Cord Location	Top

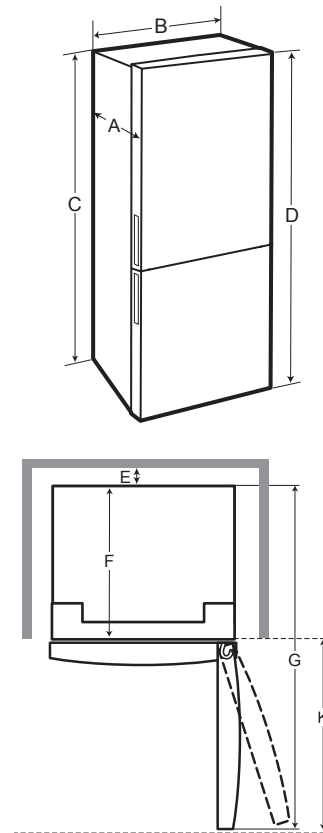
DIMENSIONS / CLEARANCES / WEIGHTS

Depth with Handles	27 5/8"
Depth without Handles	27 5/8"
Depth without Door	23 3/8"
Depth (Total with Door Open)	51 3/4"
Height to Top of Case	66 1/8"
Height to Top of Door Hinge	67 3/4"
Width	27 5/8"
Width (Door Open 90° with Handle)	29 3/8"
Width (Door Open 90° without Handle)	29 3/8"
Door Edge Clearance with Handle	2"
Door Edge Clearance without Handle	2"
Installation Clearance	Sides 2", Top 1", Back 2"
Approx. Weight (Product / Carton)	167.6 lbs. / 185.2 lbs.
Carton Dimensions (W x H x D)	29 5/16" x 69 13/16" x 30 13/16"

LIMITED WARRANTY

Parts & Labor	1 Year
Sealed System (Parts & Labor)	5 Years
Compressor (Parts & Labor)	5 Years
Linear / Inverter Compressor (Parts Only)	10 Years

DIMENSIONS / CLEARANCES



DIMENSIONS / CLEARANCES

A	Depth without Handles	27 5/8" (700 mm)
B	Width	27 5/8" (700 mm)
C	Height to Top of Case	66 1/8" (1680 mm)
D	Height to Top of Hinge	67 3/4" (1720 mm)
E	Back Clearance	2" (50 mm)
F	Depth without Door	23 3/8" (595 mm)
G	Depth (Total with Door Open 90°)	51 3/4" (1315 mm)
K	Front Clearance	33 1/2" (850 mm)

INSTALLATION NOTES

- The installation location chosen for the refrigerator should allow space behind the unit for connections and airflow and space in front to open the doors and drawers.
- Too small of a distance from adjacent items may result in lowered freezing capability and increased electricity consumption charges. Allow at least 29 1/8 inches (740 mm) in front of the refrigerator to open the doors, and at least 2 inches (50.8 mm) between the back of the refrigerator and the wall.